



# Inductive Proximity Sensor/Switch Datasheet

## CJD20-40K Series Angular Column Type Proximity Sensor

### Introduction

- Inductive proximity switch is a device for realizing the non-electrical measurement by inductive winding or the change of coefficient of mutual induction.
- It has high resolution and accuracy for the monitoring and measurement of presence, movement and position of metallic objects.
- The operating distance of the sensor depends on the coil's size as well as the target's shape, size and material.
- It is divided into two categories according to the working state :  
NO - Normal Open type,  
NC - Normal Close type

### Features:

- ◆ Functional type, equivalent to the same type of the other brands.
- ◆ Power supply reversal connection protection; short-circuit protection, can directly connect with PLC
- ◆ Newly added current over-load protection; the elements are made of imported chip
- ◆ Long service life, high reliability and strong resistance property to environment
- ◆ Red LED indicates that it's available to detect the sensor operating state
- ◆ IP67 protection structure (IEC specification)

### Ordering Part Number:

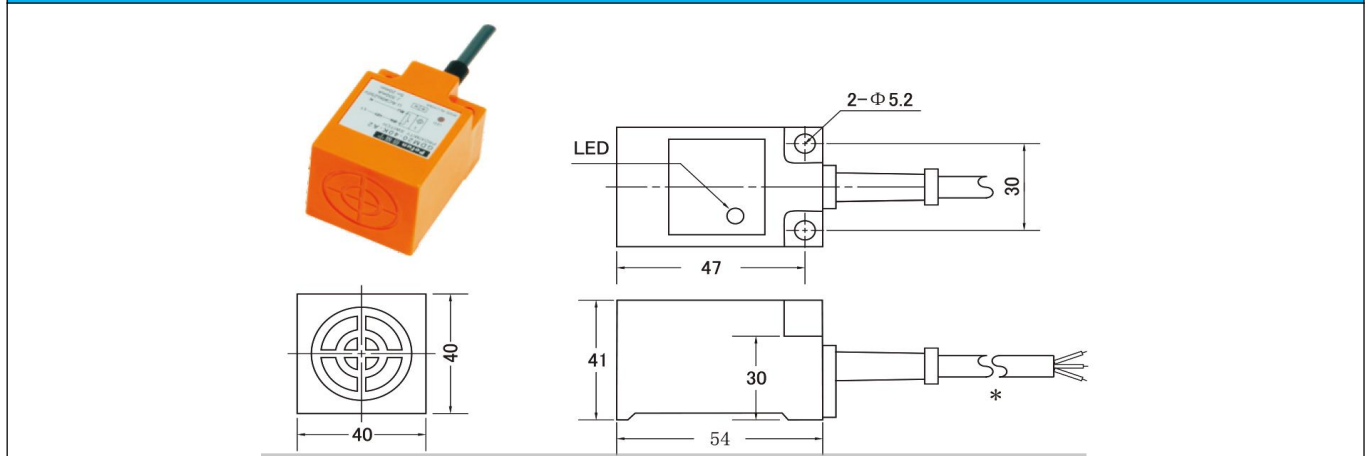
Model	Detection distance	Switch point function	Working voltage	Connection form
CJD20-40K-N1	20mm±10%	NPN NO	DC6-36V	NPN NO
CJD20-40K-N2	20mm±10%	NPN NC	DC6-36V	NPN NC
CJD20-40K-N4	20mm±10%	NPN NO+NC	DC6-36V	NPN NO+NC
CJD20-40K-P1	20mm±10%	PNP NO	DC6-36V	PNP NO
CJD20-40K-P2	20mm±10%	PNP NC	DC6-36V	PNP NC
CJD20-40K-P4	20mm±10%	PNP NO+NC	DC6-36V	PNP NO+NC
CJD20-40K-D1	20mm±10%	DC NO	DC10-30V	DC NO
CJD20-40K-D2	20mm±10%	DC NC	DC10-30V	DC NC
CJD20-40K-A1	20mm±10%	AC NO	AC90-250V	AC NO



# Inductive Proximity Sensor/Switch Datasheet

CJD20-40K-A2	20mm±10%	AC NC	AC90-250V	AC NC 
--------------	----------	-------	-----------	---

## Structure Parameter:



## Technical Parameter:

Rated action distance (Sn)	20mm
Reliable movement distance (Sa)	0~18mm
Switching frequency (f)	DC 0~400 HZ
Switching frequency (f)	AC 50/60HZ
Hysteresis (H)	Typical values%
Reverse polarity protection	Yes
Short circuit protection	Pulse
Voltage drop (Ud)	DC ≤ 1V
Voltage drop (Ud)	AC ≤ 7V
Working current (IL)	0~300 mA
Leakage current (Ir)	0~0.5mA typical values 0.1uA, 25°C
No-load current (ID)	≤ 15mA
Indicator light	Red LED
environment temperature	-20°C~70°C(248-343K)
Connection form	2m, PVC
Conductor cross-sectional area	0.22mm
Shell material	PBT
Induction surface	PBT
Protection grade	IP67
Standard	EN 60947-1:2004



# Inductive Proximity Sensor/Switch Datasheet

## Remarks:

- Inductive proximity sensors detect the metallic objects.
- The detection distance may fluctuate with the different materials of the detected target. Custom design in the different rated input current and the output voltage are available.
- Both the configuration parameters and the cable length can be customized. Standard cable length 2M.
- If no explicit requirement for the output polarity, the proximity sensor will be supplied based on NPN mode.

**WARNING : Incorrect wiring may cause damage to the sensor.**

